

Xtreme
in innovation

primus

laundry equipment

HIGH EFFICIENT RIGID MOUNTED INDUSTRIAL WASHER EXTRACTORS

RX350 RX520



FEATURES

- Rigid mounted, normal spin,
- Stainless steel top panel & Anthracite grey front and side panels
- Stainless steel drum and tub
- Xcontrol - easy to use microprocessor
- Patented Soap Hopper
- High capacity water inlets
- Large drain valves (2xØ 76 mm)
- Easy access to all vital parts from the front
- Large door opening for easy loading & unloading

OPTIONS

- Xcontrol Plus - Fully programmable
- Coin operated timer (CPS)
- Stainless steel front and side panels
- USB plug (on the back panel)
- Easy Soap - liquid soaps connection
- Liquid soap pumps
- Water recovery kit
- Steam heating version
- 3rd water inlet



ERGONOMICAL
CONSTRUCTION



LARGE DOOR
OPENING



LOW WATER AND ENERGY
CONSUMPTION

cascade
drum

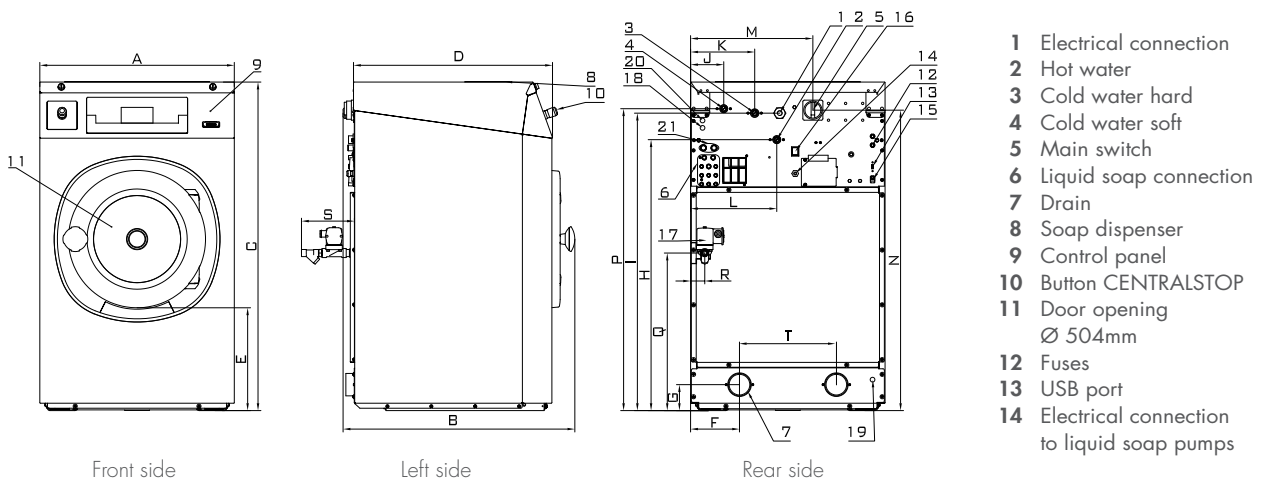


supereco

POWERWASH

TRACE-TECH

| TYPE | | RX350 | RX520 |
|------------------------------|------------|----------------|----------------|
| INNERDRUM | | | |
| maximum capacity 1:9 | kg | 37 | 58 |
| capacity 1:10 | kg | 33 | 52 |
| volume | litres | 332 | 520 |
| diameter | mm | 914 | 914 |
| DRUM SPEED | | | |
| wash | rpm | 38 | 38 |
| extraction | rpm | 540 | 440 |
| G-FACTOR | | 150 | 100 |
| HEATING | | | |
| electricity | kW | 27 | 40,6 |
| steam | bar | 1 - 8 | 1 - 8 |
| hot water | °C | 90 | 90 |
| Sound pressure level | dB (A) | < 65 | < 65 |
| Water valves connection | BSP | 3/4" | 1" |
| Water pressure | kPa | 100-800 | 100-800 |
| Rec. water pressure | kPa | 300-500 | 300-500 |
| Water inlet | l/min | 66-188 | 183-518 |
| Drain valve | outer Ø mm | 2x76 | 2x76 |
| Flow amount with drain valve | l/min | 2x210 | 2x210 |
| Steam valve connection | BSP | 3/4" | 3/4" |
| Steam pressure | kPa | 100-800 | 100-800 |
| DIMENSIONS | | | |
| Size H×W×D | mm | 1500×1060×1030 | 1500×1060×1315 |
| TRANSPORT DATA | | | |
| Gross | kg | 425 | 535 |
| Net | kg | 410 | 520 |
| Packed H×W×D | mm | 1625×1088×1060 | 1625×1088×1345 |



DIMENSIONS

| | A | B | C | D | E | F | G | H | I | J | K | L | M | N | P | Q | R | S | T |
|-------|-------|-------|--------|------|-----|-----|-----|------|------|-----|-----|-----|-----|------|------|-----|----|-----|-----|
| RX350 | 1060 | 1030 | 1500 | 936 | 465 | 318 | 120 | 1326 | 1366 | 113 | 248 | 383 | 671 | 1349 | 1413 | 528 | 66 | 145 | 482 |
| RX520 | 1060 | 1315 | 1500 | 1221 | 465 | 318 | 120 | 1414 | 1374 | 88 | 223 | 363 | 671 | 1349 | 1332 | 528 | 66 | 145 | 482 |
| | width | depth | height | | | | | | | | | | | | | | | | |



04-2015 / 548418

Primus preserves the right to change the machines and the specification in this leaflet at any time, without prior notice. Details and photographs are only for information and never binding.

www.primuslaundry.com

