

Xtreme
in innovation

primus

laundry equipment

HIGH EFFICIENT SOFT MOUNTED WASHER EXTRACTORS

FX180 FX240 FX280



FEATURES

- Freestanding, high spin
- Stainless steel top panel & Anthracite grey front and side panels
- Stainless steel drum and tub
- Xcontrol - easy to use microprocessor
- Patented Soap Hopper
- High capacity water inlets (FX280)
- Large drain valve (Ø 76 mm)
- Easy access to all vital parts from the front
- Large door opening for easy loading & unloading

OPTIONS

- Xcontrol Plus - Fully programmable
- Coin operated timer (CPS)
- Stainless steel front and side panels
- USB plug (on the back panel)
- Easy Soap - liquid soaps connection
- Liquid soap pumps
- Water recovery kit
- Steam heating version
- 3rd water inlet
- High capacity water inlets (FX180, 240)



ERGONOMICAL
CONSTRUCTION



LARGE DOOR
OPENING



LOW WATER AND ENERGY
CONSUMPTION

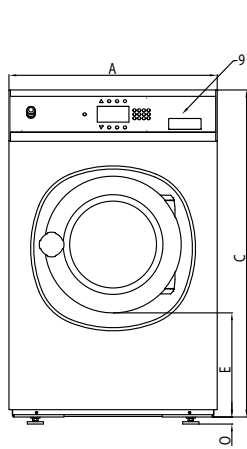
cascade
drum

supereco

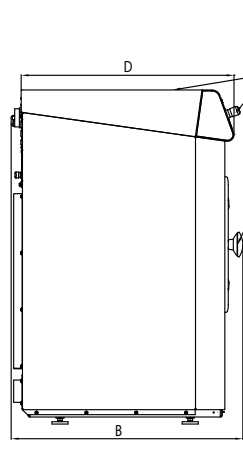


TRACE-TECH

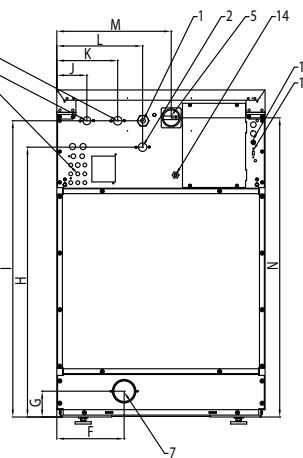
| TYPE | | FX 180 | FX 240 | FX 280 |
|------------------------------|------------|----------------|----------------|----------------|
| INNERDRUM | | | | |
| maximum capacity 1:9 | kg | 20 | 27 | 32 |
| capacity 1:10 | kg | 18 | 24 | 28 |
| volume | litres | 180 | 240 | 280 |
| diameter | mm | 750 | 750 | 750 |
| DRUM SPEED | | | | |
| wash | rpm | 42 | 42 | 42 |
| extraction | rpm | 980 | 980 | 915 |
| G-FACTOR | | 400 | 400 | 350 |
| HEATING | | | | |
| electricity (standard) | kW | 12/18 | 18 | 22 |
| steam | bar | 1-8 | 1-8 | 1-8 |
| hot water | °C | 90 | 90 | 90 |
| Sound pressure level | dB (A) | <65 | <65 | <65 |
| Water valves connection | BSP | 3/4" | 3/4" | 3/4" |
| Water pressure | kPa | 100-800 | 100-800 | 100-800 |
| Rec. water pressure | kPa | 300-500 | 300-500 | 300-500 |
| Water inlet | l/min | 20 | 20 | 20-50 |
| Drain valve | outer Ø mm | 76 | 76 | 76 |
| Flow amount with drain valve | l/min | 210 | 210 | 210 |
| Steam valve connection | BSP | 1/2" | 1/2" | 1/2" |
| Steam pressure | kPa | 100-800 | 100-800 | 100-800 |
| DIMENSIONS | | | | |
| Size H×W×D | mm | 1410×970×970 | 1410×970×1105 | 1410×970×1185 |
| TRANSPORT DATA | | | | |
| Gross | kg | 395 | 450 | 515 |
| Net | kg | 380 | 430 | 495 |
| Packed H×W×D | mm | 1550×1025×1015 | 1550×1025×1150 | 1550×1025×1225 |



Front side



Left side



Rear side

- 1 Electrical connection
- 2 Hot water
- 3 Cold water hard
- 4 Cold water soft
- 5 Main switch
- 6 Liquid soap connection
- 7 Drain
- 8 Soap dispenser
- 9 Control panel
- 10 Button CENTRALSTOP
- 11 Door opening Ø 460mm
- 12 Fuses
- 13 USB port
- 14 Electrical connection to liquid soap pumps

DIMENSIONS

| | A | B | C | D | E | F | G | H | I | J | K | L | M | N | O |
|-------|-------|-------|--------|------|-----|-----|-------|------|--------|-------|-----|-----|-----|------|----|
| FX180 | 970 | 970 | 1410 | 906 | 477 | 270 | 108,5 | 1215 | 1297,5 | 102,5 | 208 | 293 | 610 | 1315 | 24 |
| FX240 | 970 | 1105 | 1410 | 1041 | 477 | 270 | 108,5 | 1215 | 1297,5 | 102,5 | 208 | 293 | 610 | 1315 | 24 |
| FX280 | 970 | 1185 | 1410 | 1116 | 477 | 270 | 108,5 | 1215 | 1305 | 102,5 | 208 | 293 | 610 | 1315 | 24 |
| | width | depth | height | | | | | | | | | | | | |



WATCH
THE FX VIDEO
www.bit.ly/videofx



The company Primus preserves the right to change the machines and the specification in this leaflet at any time, without prior notice. Details and photographs are only for information and never binding.

www.primuslaundry.com

